

Código : 915113 Motoc"DISCUS"-2DL3F20K0-TFD200-B22/502--

2DL3-0400-TFD

HCFC, R-22 ,Mid Point, 50 Hz, 3 - Phase, 380/420 V

Low Temperature

Estado de Producción: This model is obsolete and is no longer in production for both OEM and service replacement.

Rendimiento

Evap(°C)/Cond (°C)	-31.7/40.6	-40/40.6
RG(°C)/Líq(°C)	18.3/40.6	18.3/40.6
Capacidad (Watts):	3700	1865
Potencia (Watts):	2930	2180
Corriente (Amps):	9.8	9.1
EER (COP):	1.29	0.85
Flujo de Masa(g/s):	21.4	10.7
Potencia del Sonido (dBA):	0 Ave 0 Max	
Vibración(mm(peak-peak)):	0 Ave 0 Max	

Mecánico

Número de Cilindros:	2	CIR (meters^3/hr):	0.47
Medida de Calibre (mm):	63.5	CFH (meters^3/hr):	23.653
Recorrida (mm):	42.9		
Lago Total (mm):	590.55	Largo (mm):	295.4
Ancho Total (mm):	392.18	Ancho (mm):	279.4
Altura Total (mm):	434.09	Altura (mm):	460.5*
Medida de Succión(in):	1 3/8	Sweat	
Medida de Descarga (in):	7/8	Sweat	
Carga Inicial de Aceite (liter):	2.37		
Recarga de Aceite (liter):	2.13		
Peso Neto (kg):	147.42		
HorsePower	3.5		
* Altura total del compresor sobre patas de montaje Copeland originales.			

Eléctrico

LRA-Alto*:	60.0	UL File No.:	SA-2337	Corriente Operativa Máx.(Amps):	
LRA-Bajo*:		UL File Date:	13-Jul-1988	MCC (Amps):	12.2
LRA-Medio Bobinado:		Archivo CSA No.:	LR3104C	RPM:	
RLA (=MCC/1.4; use for contactor selection):	8.7				
RLA (=MCC/1.56; use for breaker & wire size selection):	7.8				
*Baja y Alta, se refieren respectivamente, a los límites inferior y superior del rango de voltaje de trabajo para el cual el motor está aproba					

Aplicaciones Alternativas

Refrigerante	Frecuencia(Hz)	Fase	Voltaje	Aplicación
R-22 HCFC	60	3	460	Low Temperature
R-502 CFC	60	3	460	Low Temperature
R-502 CFC	50	3	380/420	Low Temperature

2DL3-0400-TFD

HCFC, R-22, Mid Point, 50 Hz, 3 - Fase, 380/420 V
Low Temperature



Estado de Producción: This model is obsolete and is no longer in production for both OEM and service replacement.

Componentes Eléctricos

Estatador

Resistencia: +-7% Tensión entre fases: 2.382 Tensión de línea: 0.0

Protector térmico interno

N° de Parte 071-0429-10

Descripción de Uso:

Nombre del Vendedor:

T I



Condiciones operativas

18.3 C Return Gas
 0 K Subcooling
 35 C Ambient Air Over

50 Operación en Hz

LOW TEMPERATURE

Use only with Demand Cooling®
 Refer to AE 4-1287

2DL3-0400-TFD

COPELAMETIC® HCFC-22

DISCUS® COMPRESSOR

TFD 380/420-3-50

Condensing Temperature C**(Sat Dew Pt Pressure, bar)****Evaporating Temperature C (Sat Dew Pt Pressure, bar)**

	54 (21.3)	-40 (1)	-35 (1.3)	-30 (1.6)	-25 (2)	-20 (2.4)	-18 (2.6)
50 C	1110	1850	3000	4450	6100	6750	
(19.4) P	1990	2630	3250	3790	4190	4300	
A	8.8	9.5	10.1	10.6	10.9	11	
M	7	11.9	19.3	28.7	39.4	44	
E	0.56	0.7	0.92	1.18	1.45	1.58	
%	35.8	41.4	49.1	56.2	62.6	65	
50 C	1350	2165	3400	4900	6650	7350	
(19.4) P	2090	2660	3230	3740	4110	4210	
A	9	9.6	10.1	10.5	10.8	10.8	
M	8.3	13.4	21	30.6	41.4	46	
E	0.65	0.81	1.05	1.32	1.61	1.74	
%	38.9	44.3	51.6	58.1	63.9	66.1	
45 C	1630	2530	3850	5450	7250	8000	
(17.3) P	2150	2650	3170	3630	3970	4060	
A	9.1	9.6	10	10.4	10.5	10.6	
M	9.7	15	22.9	32.6	43.6	48.2	
E	0.76	0.95	1.22	1.51	1.83	1.97	
%	41.8	47.4	54.2	60.2	65.2	67.1	
40 C	1895	2880	4300	6000	7900	8650	
(15.3) P	2180	2610	3070	3490	3810	3900	
A	9.1	9.6	9.9	10.2	10.3	10.3	
M	10.8	16.4	24.5	34.4	45.5	50.1	
E	0.87	1.1	1.4	1.72	2.07	2.22	
%	43.9	49.9	56.5	61.8	66.1	67.6	
35 C	2160	3250	4700	6500	8500	9300	
(13.5) P	2170	2540	2950	3340	3640	3720	
A	9.1	9.5	9.8	10	10.1	10.1	
M	11.9	17.7	26	36	47.2	51.8	
E	0.99	1.27	1.6	1.95	2.33	2.5	
%	45.8	52.2	58.4	63.2	66.5	67.6	
30 C	2430	3600	5150	7050	9100	9950	
(11.9) P	2150	2450	2820	3180	3470	3550	
A	9.1	9.3	9.6	9.8	9.9	9.9	
M	12.9	19	27.4	37.5	48.8	53.4	
E	1.13	1.46	1.83	2.21	2.62	2.8	
%	47.4	54.2	60.1	64	66.3	67	
25 C	2725	3950	5600	7550	9700	10600	
(10.4) P	2110	2360	2690	3020	3300	3390	
A	9	9.2	9.5	9.7	9.8	9.8	
M	14	20.2	28.8	39.1	50.3	55	
E	1.29	1.67	2.08	2.5	2.94	3.13	
%	48.9	56	61.4	64.3	65.3	65.4	



ansal
 REFRIGERACION S.A.
Desde 1946

2DL3-0400-TFD



HCFC, R-22, Mid Point, 50 Hz, 3 - Fase, 380/420 V

Low Temperature

Estado de Producción: This model is obsolete and is no longer in production for both OEM and service replacement.

Partes de Servicio

<u>Referencia</u>	<u>Componente</u>	<u>Cantidad</u>	<u>Descripción</u>	<u>Comentarios</u>
1	020-0756-00	1	GASKET-CYLINDER HEAD	
2	998-1661-29	1	VALVE PLATE KIT	
3	020-0757-02	1	GASKET-VALVE PLATE	
4	020-0104-00	1	GASKET-HOUSING COVER	
5	020-0732-00	1	GASKET-OIL PUMP	2942708
6	998-0008-33	1	OIL PUMP KIT	WITH OIL PUMP BOLTS GASKETS & ADAPTER RING
7	510-0191-00	1	VALVE-SCHRADER TEE	INSTALLED IN OIL PUMP
8	020-0159-00	1	GASKET-BOTTOM PLATE	
9	003-0099-00	1	PLATE-BOTTOM	
10	998-0002-02	1	SIGHT GLASS KIT	
11	998-0513-03	1	OIL SCREEN KIT	
12	918-0028-01	1	HEATER-CC--100W/240V	WELD
12	918-0028-00	1	HEATER-CC--100W/120V	WELD
13	020-0012-11	1	GASKET-SERVICE VALVE	DISCHARGE
14	998-0510-12	1	SERV VALVE KIT 7/8 SWT	7/8 SWT2 BOLT DISCHARGE
15	998-5100-00	1	SUCT & DISCH VALVE KIT	WITH VALVES BOLTS & GASKETS
16	020-0709-00	1	GASKET-STATOR COVER	
17	005-0650-03	1	COVER-STATOR	
18	020-0012-09	1	GASKET-SERVICE VALVE	2880908 SUCTION
19	998-0510-11	1	SERV VALVE KIT 1 3/8 SWT	1 3/8 SWT2 BOLT SUCTION
20	020-0146-00	1	GASKET-TERM MTG PLATE	
21	062-0058-00	1	BOX-TERMINAL	
22	005-0163-00	1	COVER-TERMINAL BOX	
24	521-0018-00	1	TERMINAL-FUSED CLUSTER	
25	020-0844-02	1	SEAL	FOR T CLUSTER 521-0018-00
27	998-0429-10	1	PROTECTOR & GASKET KIT	
28	998-0700-07	1	OIL CONTROL BRKT KIT	
30	527-0105-00	1	SPACER-MOUNTING ASSM	
34	510-0142-00	1	VALVE-OIL CHECK ASSM	2852661
36	998-1669-06	1	GASKET SET	
38	998-1000-12	1	DEMAND COOL KIT	120V/50/60 HZ
38	998-1001-13	1	DEMAND COOL 120V/50 HZ	
42	030-0187-00	1	SLEEVE-HEATER	REQUIRED WHEN USING CCH
43	020-0678-00	1	GASKET-CLOSURE PLATE	
44	020-0297-13	1	GASKET-SENTRONIC SENSOR	
45	020-0844-04	1	SEAL-SIGHT GLASS	2042028
46	585-1066-02	1	CONTROL-OIL PROTECT GP	

<u>Referencia</u>	<u>Componente</u>	<u>Cantidad</u>	<u>Descripción</u>	<u>Comentarios</u>
47	998-0162-00	1	SENTRONIC SENSOR KIT	
48	998-0283-02	1	KIT-CABLE	
49	998-1000-22	1	DEMAND COOLING KIT	240V 50/60 HZ
49	998-1001-23	1	DEMAND COOL 240V/ 50 HZ	
50	998-0513-04	1	SUCTION SCREEN KIT	
51	921-0227-00	1	CONNECTOR BLOCK KIT	
52	020-0012-11	2	GASKET-SERVICE VALVE	GASKET REQUIRED ON BOTH SIDES OF MUFFLER PLATE
53	003-0020-02	1	PLATE-MUFFLER	
54	910-0352-00	1	DEMAND COOL VLV & COIL	COIL VOLTAGE 120V/50/60HZ
54	910-0352-01	1	DEMAND COOL VLV & COIL	COIL VOLTAGE 240V/50/60HZ

Estado de Producción: This model is obsolete and is no longer in production for both OEM and service replacement.

Accesorios

Número de Pa	Descripción
006-0200-00	Spring. Internal, between the valve plate, & unloader piston. (Unloader Spring)
020-1004-00	Cover plate gasket 003-0021-00. When replacing standard model 9RC or 9RS with unloading added, replace with unloader models 9RP or 9RT.
023-0039-01	Coil, 120v, Alco - Demand cooling valve (Unloader Valve)
023-0039-02	Coil, 240v, Alco - Demand cooling valve (Unloader Valve)
023-0042-01	Solenoid Coil 120v, 50/60 Hz, Parker - Demand cooling valve
023-0042-02	Solenoid Coil 240v, 50/60 Hz, Parker - Demand cooling valve
024-0200-00	Fan Guard - Top, for Head Cooling Fan
030-0187-00	Heater Sleeve, well style - Order well separately
083-0118-00	Fan Blade - for Head Cooling Fan
085-0109-00	Temperature Probe-Standard 41" - Demand Cooling
085-0109-01	Temperature Probe-10 ft cable - Demand Cooling
085-0110-00	Control Module 120v 50/60 Hz - Demand Cooling
085-0110-01	Control Module 240v 50/60 Hz - Demand Cooling
085-0160-00	3 Phase Voltage Monitor. For use with all Copeland 3 Phase Compressors. Consult model family nomenclature for electrical definition in the model number.
510-0351-00	Demand Cooling Valve 50/60 Hz Alco
510-0352-00	Demand Cooling Valve & Coil, 120v, 50/60 Hz, Alco
510-0352-01	Demand Cooling Valve & Coil, 240v, 50/60 Hz Alco
585-1066-02	Sentronic Oil Pressure Control - Kit includes Sentronic oil pressure control, screws to mount control, oil pressure sensor, and sensor gaskets. Control mounting brackets are supplied on service replacement compressors.
918-0009-00	Crankcase Heater, 120v, 65w, bolt on. For usage on specific Copeland Copelametic & Discus Compressor except deep sump models. Includes crankcase heater, and reference drawings.
918-0009-01	Crankcase Heater, 240v, 65w, bolt on. For usage on specific Copeland Copelametic, & Discus Compressor except deep sump models. Includes crankcase heater, and reference drawings.
918-0009-02	Crankcase Heater, 480v, 65w, bolt on. For usage on specific Copeland Copelametic, & Discus Compressor except deep sump models. Includes crankcase heater, and reference drawings.
918-0009-03	Crankcase Heater, 600v, 65w, bolt on. For usage on specific Copeland Copelametic, & Discus Compressor except deep sump models. Includes crankcase heater, and reference drawings.
918-0028-00	Crankcase Heater 120v, 100w insertion. For usage on specific Copeland Copelametic, & Discus Compressors. Use with Heater Well 030-0186-00 and 030-0187-00.
918-0028-01	Crankcase Heater 240v, 100w insertion. For usage on specific Copeland Copelametic, & Discus Compressors. Use with Heater Well 030-0186-00 and 030-0187-00.
998-0045-00	End plate kit. Kit includes end plate & end plate gasket for the unloader valve.
998-0161-01	Sentronic Oil Control - Control only, supplied with 44" cable as standard
998-0162-00	Kit includes sensor, gaskets, and cable.
998-0283-02	Standard Sentronic cable is 44" long. The extension cable is 12 ft long and must be wired into the control. Kit 998-0283-02 includes instructions.
998-0550-00	Fan Motor Blade & Guard Assembly 230v, Does not include mounting bracket. Must be ordered separately
998-0550-01	Fan Motor Blade & Guard Assembly 460v, Does not include mounting bracket. Must be ordered separately
998-0550-02	Fan Motor Blade & Guard Assembly 115v, Does not include mounting bracket. Must be ordered separately
998-0550-03	Fan Motor 230v. Includes fan motor mounted to bottom guard
998-0550-04	Fan Motor 460v. Includes fan motor mounted to bottom guard
998-0550-05	Fan Motor 115v. Includes fan motor mounted to bottom guard
998-0574-11	Fan Mounting Kit. Vertical fan mount on top of compressor head
998-0683-00	Shipping Plate, Gasket, and Bolt (Discharge all 2D) (Discharge) (Suction & Discharge) 2 kits required

2DL3-0400-TFD

HCFC, R-22, Mid Point, 50 Hz, 3 - Fase, 380/420 V
Low Temperature



Estado de Producción: This model is obsolete and is no longer in production for both OEM and service replacement.

Accesorios

<u>Número de Pa</u>	<u>Descripción</u>
998-0683-01	Shipping Plate, Gasket, and Bolt (Suction all 2) (Discharge all 3D, 4D, 4R, 6D, 6R & 9R) (Suction) (Suction 5, 6, 7 1/2, 9, & 10 12 HP)
998-0683-02	Shipping Plate, Gasket, and Bolt (Suction 6R, 10, 15 & 20 HP)
998-0700-09	Control Mounting Bracket Kit
998-1000-12	Demand Cooling Kit 120v / 60Hz
998-1000-22	Demand Cooling Kit 240v / 60Hz
998-1001-12	Demand Cooling Kit 120v / 50Hz
998-1001-22	Demand Cooling Kit 240v / 50Hz
998-AB52-01	Akylbenzene Oil. Approved for use with specific Copeland Semi Hermetic After Market Compressors. Consult model family nomenclatures for oil identifier in the model number.
998-E022-01	Polyol Ester Oil. Approved for use with specific Copeland Hermetic & Semi Hermetic models. Consult specific model family nomenclatures for oil identifier in the model number.

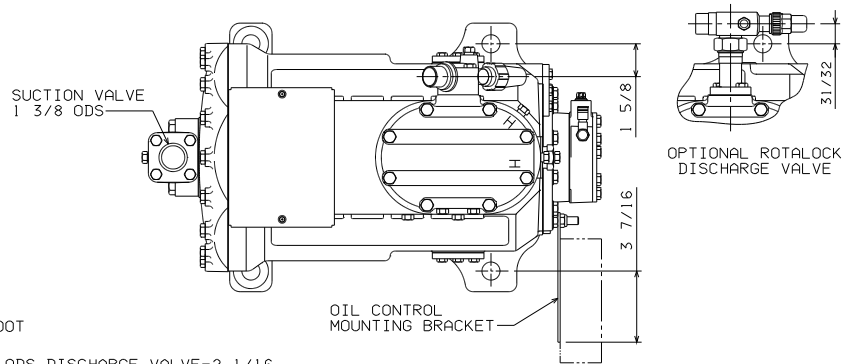
Boletín Cambio Nomenclatura Discus Cono Sur 

Actualización de Nomenclatura Discus Cono Sur 

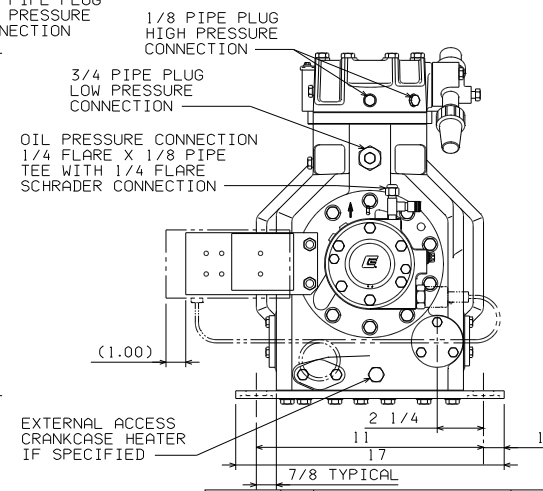
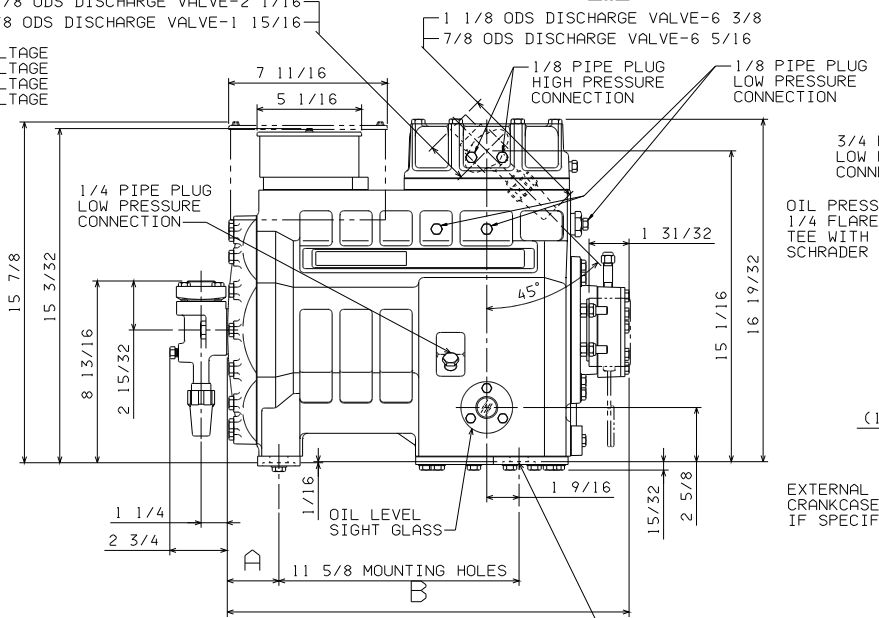
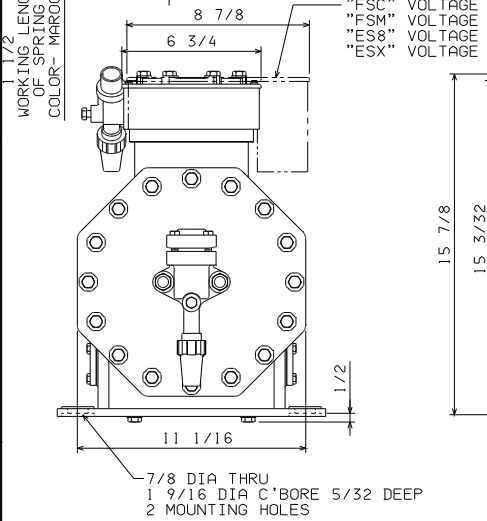
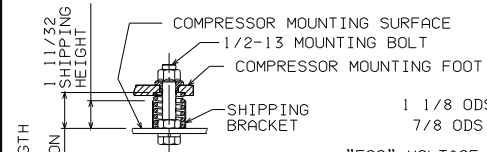


MODEL	A	B	OLD MODEL NUMBER
2DA3R58K	2 1/2	19 1/2	2DA3-050
2DA3F23K	3 1/2	20 1/2	2DA3-060
2DA3R89K	3 1/2	20 1/2	2DA3-075
2DB3R61K	2 1/2	19 1/2	2DB3-050
2DB3F25K	3 1/2	20 1/2	2DB3-060
2DC3R55K	3 1/2	20 1/2	2DC3-050
2DCJR55K	3 1/2	20 1/2	2DCJ-050
2DF3F16K	3 1/2	20 1/2	2DF3-030
2DD3R63K	3 1/2	20 1/2	2DD3-050
2DL3F20K	3 1/2	20 1/2	2DL3-040
2DL3R78K	3 1/2	20 1/2	2DL3-075

SPECIFICATIONS	
ES NO.	DESCRIPTION
ES81-159	CLEANLINESS
ES81-250	IDENTIFICATION
ES92-155	CONVERSION-METRIC
ES92-167	HAZARDOUS SUBSTANCES



NOTE:
 ⚠ ALL TOLERANCES ARE ±3/32 EXCEPT INDUSTRY STANDARDS APPLY TO FITTINGS AND VALVES.



7/8 DIA THRU
 1 9/16 DIA C BORE 1/8 DEEP
 2 MOUNTING HOLES



INTERPRET PER ASME Y14.5M-1994 AND COPELAND DESIGN STANDARDS DS2002. DO NOT SCALE DRAWING.
 THIRD ANGLE PROJECTION
 UNLESS OTHERWISE SPECIFIED DIMENSIONS ARE INCH (MILLIMETER).
 2 PLACE 1
 3 PLACE 1
 ANGLULAR

REVISIONS	DATE	BY	CHKD	APPR
51-0805-048 28	09-28-05	SKR	DE	
51-0289-036	01-19-88	EG		

ENG NOTICE NO. REV NO. REVISIONS DATE BY CHKD APPR

CONFIDENTIALITY NOTE
 THIS DRAWING AND THE INFORMATION CONTAINED HEREIN ARE THE EXCLUSIVE PROPERTY OF COPELAND. IT SHALL BE RETURNED TO COPELAND UPON DEMAND AND SHALL NOT BE REPRODUCED IN WHOLE OR IN PART, DISCLOSED TO ANYONE ELSE OR USED WITHOUT THE WRITTEN CONSENT OF COPELAND.

MATERIAL SPECIFICATION	SKR	497-0184-00/27	SUPPLIES Dwg. NO. 7 REV. NO.
N/A	DATE	SCALE	DATE FORMAT
	09-12-05	3:8	MM-DD-YY

TITLE REF DWG-COPE COMP ASSM DRAWING NUMBER 497-0184-00 SHEET 1 OF 1 DWG 4

UNCONTROLLED - DO NOT MODIFY
 COPELAND CORP. CONFIDENTIAL